

Product Specifications



Version	Date
V2.1	2022-11-02

AXXD09MDD-3NX

0.9 m, High Performance, Dual-Polarized for 5D interface Class3 Modular Antenna, XX for 6 ~ 23GHz

● General Specifications

Product Type	Microwave antenna
Product Series	UHP-M

● Electrical Specifications

Model Number	Frequency (GHz)	Gain (dBi)			Gain without OMT (dBi)			HP BW (°)	XPD (dB)	F/B Ratio (dB)	IPI (dB)	VSWR	ETSI Standard	Antenna Input*
		Low	Mid	High	Low	Mid	High							
A6WD09MDD-3NX	5.925 ~ 7.125	31.7	33	34	32	33.3	34.3	3.6	30	59	35	1.3	Class 3	153IEC-R70
A7WD09MDD-3NX	7.125 ~ 8.5	34.5	35	35.5	34.8	35.3	35.8	3	30	60	35	1.3	Class 3	153IEC-R84
A10WD09MDD-3NX	10.125 ~ 11.7	37.5	38.1	38.7	37.8	38.4	39	2.1	30	63	35	1.3	Class 3	153IEC-R100
A13D09MDD-3NX	12.75 ~ 13.25	39.6	39.7	39.8	39.9	40	40.1	1.8	30	64	35	1.3	Class 3	153IEC-R120
A15D09MDD-3NX	14.4 ~ 15.35	40	40.3	40.6	40.3	40.6	40.9	1.6	30	67	35	1.3	Class 3	153IEC-R140
A18D09MDD-3NX	17.7 ~ 19.7	42.7	43.1	43.3	43.1	43.5	43.7	1.2	30	70	35	1.3	Class 3	153IEC-R220
A23D09MDD-3NX	21.2 ~ 23.6	43.9	44.2	44.4	44.5	44.8	45	1	30	70	35	1.3	Class 3	153IEC-R220

Note: Huawei customized interface. It can be used as the flange type listing in the table.

● Mechanical Specifications

Diameter (m)	0.9
Antenna Color (color charts)	Grey (RAL7035)
Reflector	One-piece reflector
Radome Color	White
Fine Azimuth Adjustment	±15°
Fine Elevation Adjustment	±15°
Diameter of mounting pipe (mm)	Φ51 to 114
Side Strut	1 (optional 4 pcs)
Installation	Compact mount
Ice-load(mm)	25.4
Operational Temperature (°C)	-45 to +60

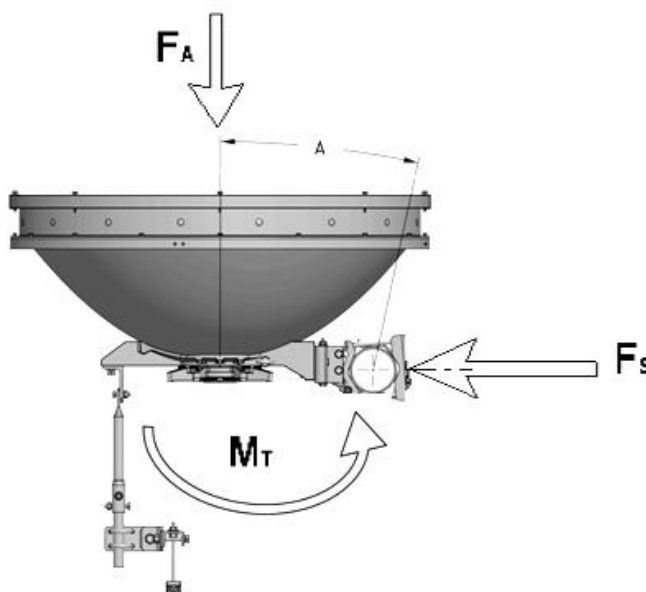
Product Specifications

● Wind Forces At Wind Velocity Survival Rating

Wind Velocity Survival Rating, km/h	250
Wind Velocity Operational, km/h	200
Axial Force (N) *	3074
Side Force (N) *	1537
Twisting Moment (N·m) *	1150

Note: The diameter of the mounting pipe is 114 mm when testing. Axial Force/Side Force /Twisting Moment is at wind velocity survival rating.

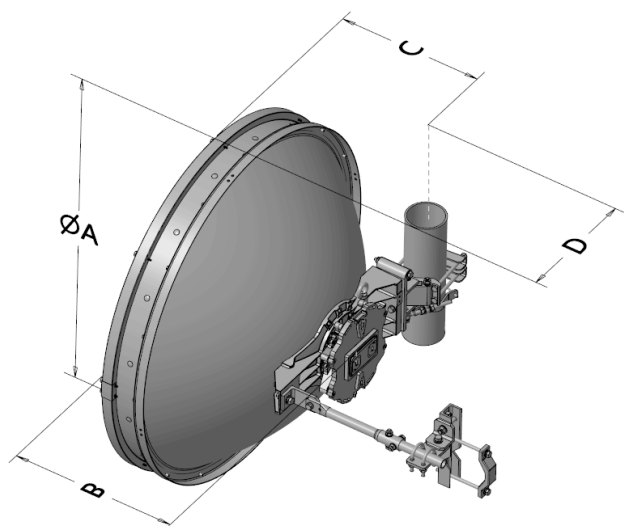
● Wind Forces At Wind Velocity Survival Rating Image



● Packed Dimensions

Gross Weight,Packed Antenna (kg)	48.5 ± 4
Net Weight,Only Antenna (kg)	24.2 ± 2.1
L × W × H (mm × mm × mm)	1100 × 525 × 1270

● Antenna Dimensions



Dimensions in mm	
Antenna size,ft(m)	3(0.9)
A	1025
B	491
C	430
D	374



Note

Gain	There may be an error in testing the gain in different test fields. The error should be less than 0.5dB.
Radiation Pattern Envelope Reference (RPE)	RPE of antenna is generated with the stated gain, so there will be a deviation of RPE when the gain is deviated. Theoretically, the pattern deviation dose not exceed 0.5dB.
Front-to-Back Ratio	Indicates the highest backward radiation, relative to the main lobe, in the range of $180^{\circ} \pm 40^{\circ}$. Production antennas do not exceed rated values by more than 2dB unless stated otherwise.
Half-power beamwidth (HPBW)	HPBW is a typical value that fluctuates with frequency.
Cross Polarization Discrimination (XPD)	The stated 30dB antenna XPD is tested in professional test field. Both antennas have 30dB XPD in a link, but the link XPD may fall back to the worst 24dB.
Installation	Separate installation is not supported.

Product Specifications



Copyright © Huawei Technologies Co., Ltd. 2022. All rights reserved.

No part of this document may be reproduced or transmitted in any form or by any means without prior written consent of Huawei Technologies Co., Ltd.

Trademarks and Permissions



and other Huawei trademarks are trademarks of Huawei Technologies Co., Ltd.

All other trademarks and trade names mentioned in this document are the property of their respective holders.

Notice

The purchased products, services and features are stipulated by the contract made between Huawei and the customer. All or part of the products, services and features described in this document may not be within the purchase scope or the usage scope. Unless otherwise specified in the contract, all statements, information, and recommendations in this document are provided "AS IS" without warranties, guarantees or representations of any kind, either express or implied.

The information in this document is subject to change without notice. Every effort has been made in the preparation of this document to ensure accuracy of the contents, but all statements, information, and recommendations in this document do not constitute a warranty of any kind, express or implied.

Huawei Technologies Co., Ltd.

Address: Huawei Industrial Base
Bantian, Longgang
Shenzhen 518129
People's Republic of China

Website: <http://www.huawei.com>

Email: support@huawei.com